


COLOR	DESCRIPTION
Brown	230V Live Wire
Blue	230V Neutral Wire
Red	12V Alarm Backup / Signal
Orange	24V Backup
Yellow	24V / Signal
Black	0V / Signal

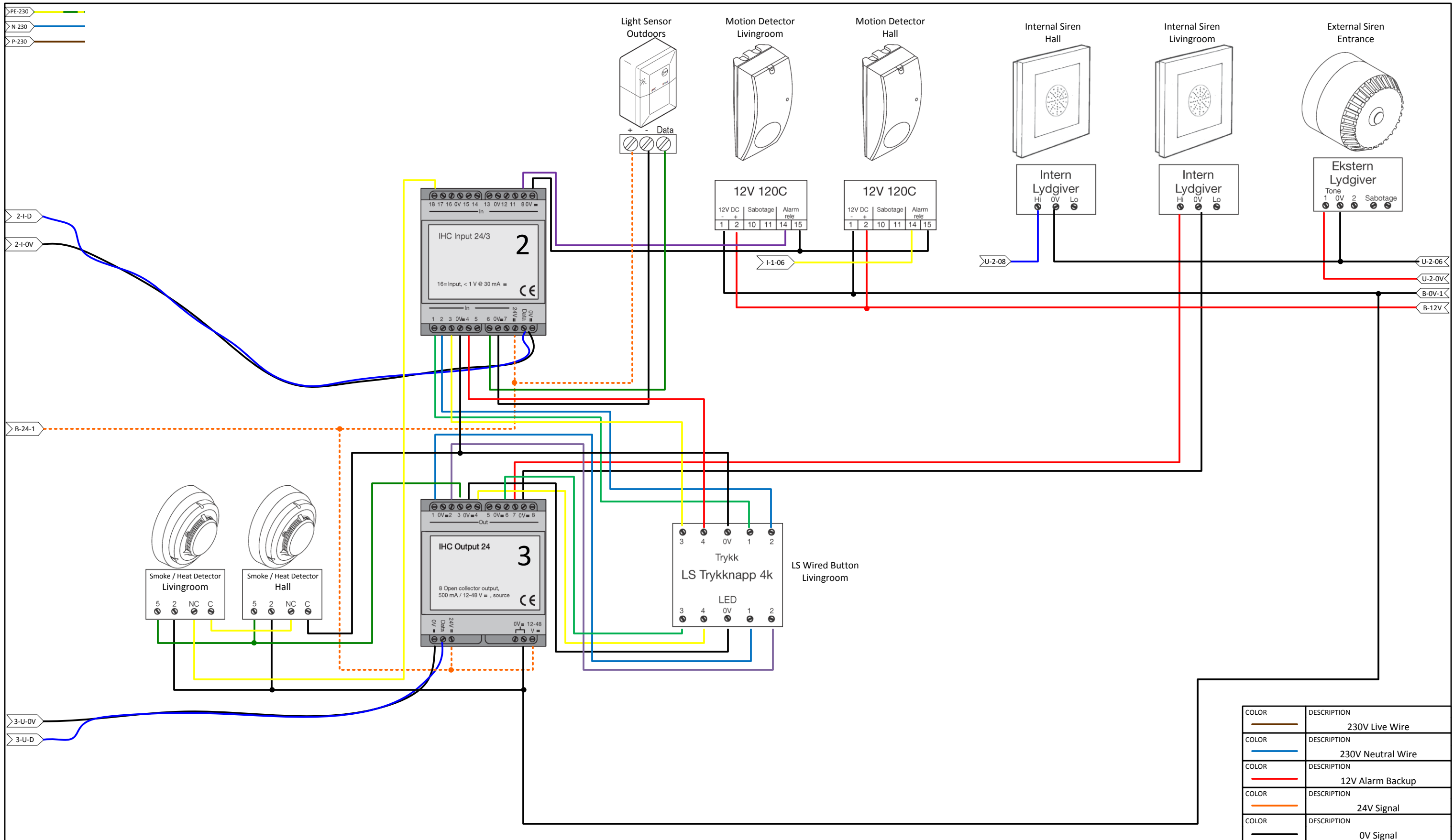


ELKO LIVING SYSTEM

GIMSMARKVEIEN 35, 7227 GIMSE
SYSTEM DIAGRAM & WIRING SCHEME
HEATING CONTROL, LIGHT CONTROL & ALARM SYSTEM

SIZE	LOCATION	DWG NO	REV
A3	TECHNICAL ROOM	Gimsmarkveien 34_001.vsd	A
SCALE	N/A	SHEET	1 OF 3

LABEL	DESCRIPTION	REVISED	DRAWN BY
A	DRAFT	11/12/2009	ANDREAS HULSUND
REV.	DESCRIPTION	DATE	BY



COLOR	DESCRIPTION
	230V Live Wire
	230V Neutral Wire
	12V Alarm Backup
	24V Signal
	0V Signal

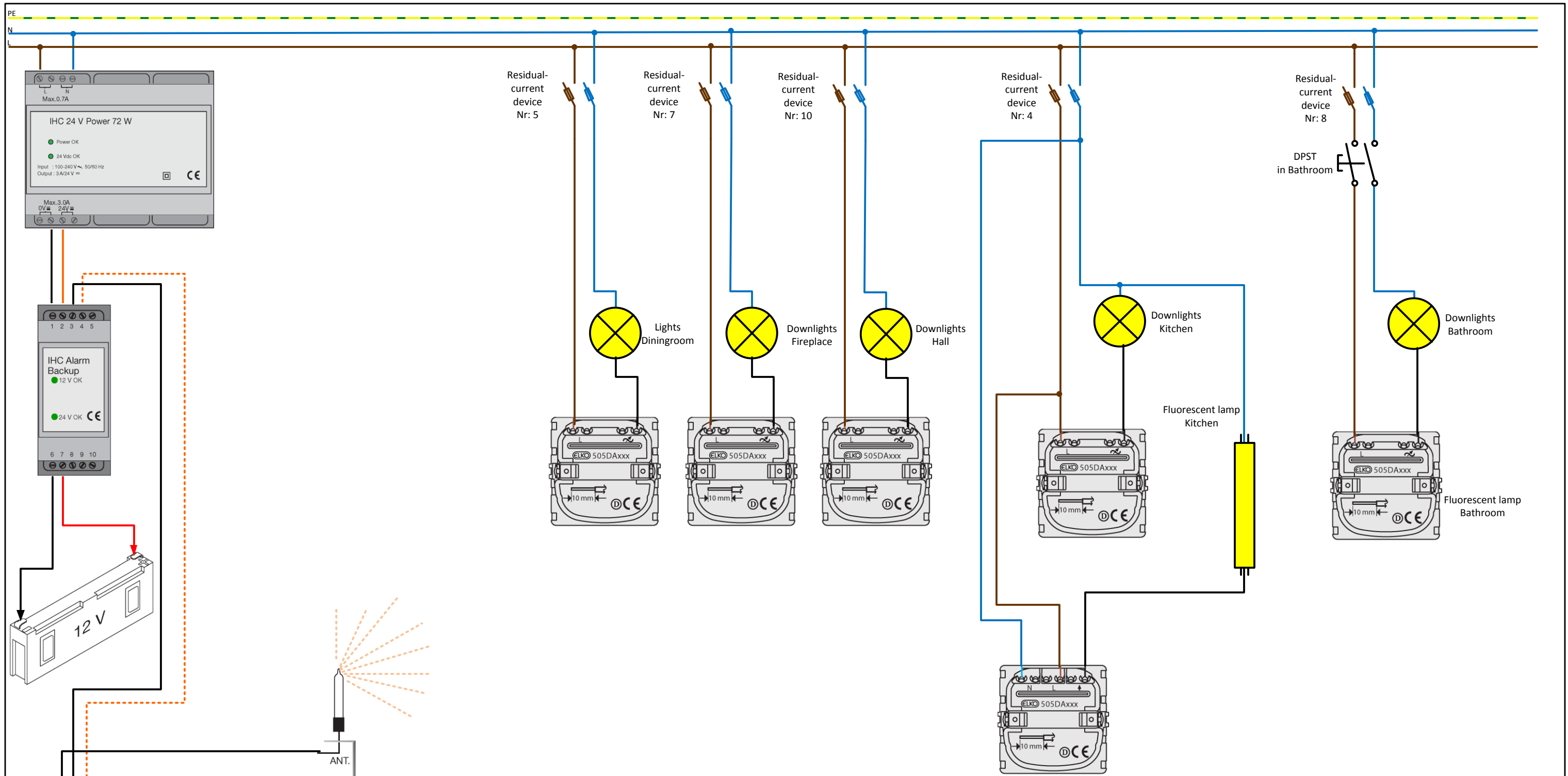
ELKO LIVING SYSTEM

GIMSMARKVEIEN 35, 7227 GIMSE
SYSTEM DIAGRAM & WIRING SCHEME
HEATING CONTROL, LIGHT CONTROL & ALARM SYSTEM

SIZE	LOCATION	DWG NO	REV
A3	ATTIC	Gimsmarkveien 34_001.vsd	A
SCALE	N/A	SHEET	2 OF 3

LABEL	DESCRIPTION	REVISED	DRAWN BY
A	DRAFT	12/13/2009	ANDREAS HULSUND
REV.	DESCRIPTION	DATE	BY

HULSUND INVEST



COLOR	DESCRIPTION
	230V Live Wire
	230V Live Wire
	230V Neutral Wire

DESCRIPTION
 This diagram shows only the wireless components, controller and power connection for the controller.

LABEL	DESCRIPTION	REVISED	DRAWN BY
A	DRAFT	11/12/2009	ANDREAS HULSUND
REV.	DESCRIPTION	DATE	BY

ELKO LIVING SYSTEM

GIMSMARKVEIEN 35, 7227 GIMSE
 SYSTEM DIAGRAM & WIRING SCHEME
 HEATING CONTROL, LIGHT CONTROL & ALARM SYSTEM

SIZE	LOCATION	DWG NO	REV
A3	TECHNICAL ROOM	Gimsmarkveien 34_001.vsd	A
SCALE	N/A	SHEET	3 OF 3